

Arc Trainer® 600A/610A Front Access Cover

Kit No. **600AK024**

Installation Instructions

NOTE: This instruction sheet describes how to replace the front access cover on the Arc Trainer 600A/610A.

TOOLS REQUIRED

- Phillips screwdriver

1. Read and understand all instructions thoroughly before installing this kit.

2. Verify kit contents. See Figure 1.

- A. Front Access Cover Assembly
A1. Front Access Cover, (1), **600A-335**
A2. Front Logo Decal, (1), DE-17317
A3. Service Schedule and Error Decal, (1), DE-17322-X
B. Nylon Grommet, **HF540200** (4) - not shown
C. Self-tapping Phillips Screw 8-16 X .75, **HT552515** (4) - not shown

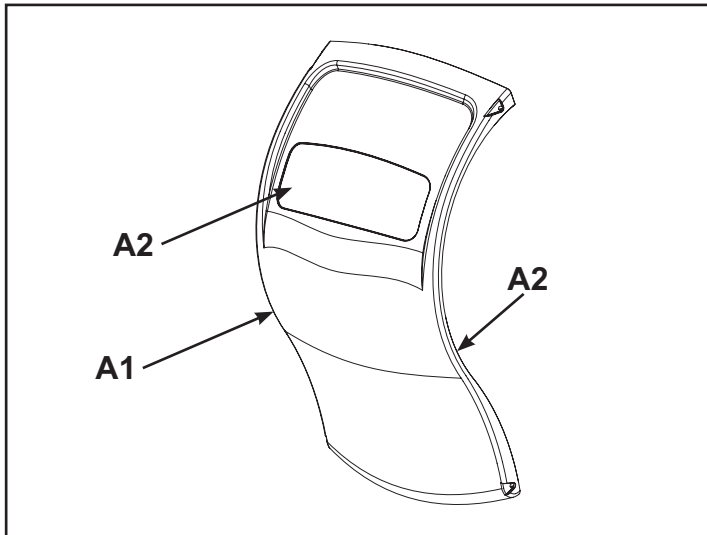


Figure 1

3. Remove the existing access cover.

- A. Using a Phillips screwdriver, remove the two lower screws securing the access cover.
- B. Remove the two upper screws securing the access cover. See Figure 2
- C. Remove the access cover.

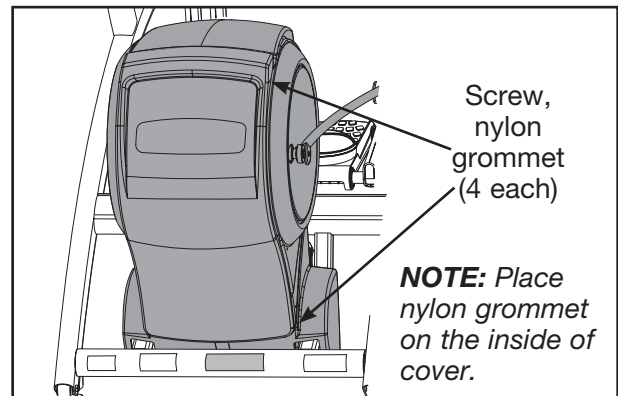


Figure 2

4. Attach the new access cover.

- A. Install the four grommets and screws. **NOTE:** Place grommets on the inside of the front cover. Install upper two grommets/screws first then the two lower grommets washers.
- B. Tighten the four screws, using a Phillips screwdriver. **NOTE:** Do not over tighten screws. See Figure 2.

5. Test unit for proper operation.



Cybex® and the Cybex logo are registered trademarks of Cybex International, Inc.
Arc Trainer® and its mark are registered trademarks of Cybex International, Inc.